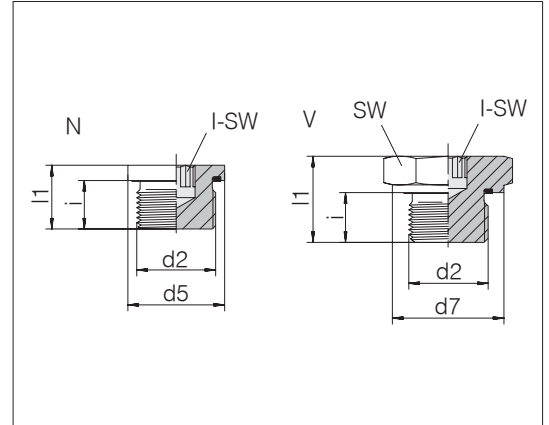


Blanking plugs for ports

Male thread: BSPP thread, cylindrical
 Threaded stud: ISO 1179-2 Form E
 Sealing type: Profile sealing ring PEFLEX
 Sealing material: Standard NBR



d2	Pressure	d5	d7	l1	SW	I-SW	i	Style	Nm -10 %	kg/100 ca.	Order-No.	Designation
G 1/8 A	PN 400	14		12.3		5	8	N	12	0.7	0189332100	GP-PLIH-G1/8E-C21
G 1/4 A	PN 400	18.9		17.3		6	12	N	25	1.8	0189342100	GP-PLIH-G1/4E-C21
G 3/8 A	PN 400	22		17.3		8	12	N	50	2.7	0189352100	GP-PLIH-G3/8E-C21
G 1/2 A	PN 400	26.9		19.3		10	14	N	70	4.4	0189362100	GP-PLIH-G1/2E-C21
G 3/4 A	PN 400	32		21.3		12	16	N	120	7.5	0189372100	GP-PLIH-G3/4E-C21
G 1 A	PN 400	39.9		22.8		17	16	N	200	12.3	0189382100	GP-PLIH-G1E-C21
G 1 A	PN 400		46	33	46	17	18	V	250	27.2	1189382100	GP-PLEH-G1E-C21
G 1 1/4 A	PN 315	49.9		22.8		22	16	N	320	19.4	0189392100	GP-PLIH-G11/4E-C21
G 1 1/4 A	PN 400	49.9		28		22	20	N	450	27.2	1189412100	GP-PLIH-G11/4E-PN400-C21
G 1 1/4 A	PN 400		57	38	60	22	20	V	400	54.3	1189392100	GP-PLEH-G11/4E-C21
G 1 1/2 A	PN 315	55		22.8		24	16	N	400	25.2	0189402100	GP-PLIH-G11/2E-C21
G 1 1/2 A	PN 400	55		30		24	22	N	600	37.5	1189422100	GP-PLIH-G11/2E-PN400-C21
G 1 1/2 A	PN 400		64	40	65	24	22	V	500	69.3	1189402100	GP-PLEH-G11/2E-C21
G 2 A	PN 250	75		34		32	24	N	650	68.7	1189572100	GP-PLIH-G2E-C21

Other sizes on request.

Example for comp. : VST11/8ED

Threaded ports as per ISO 9974-1/
 DIN 3852, form X.
 d5 = d4 narrow